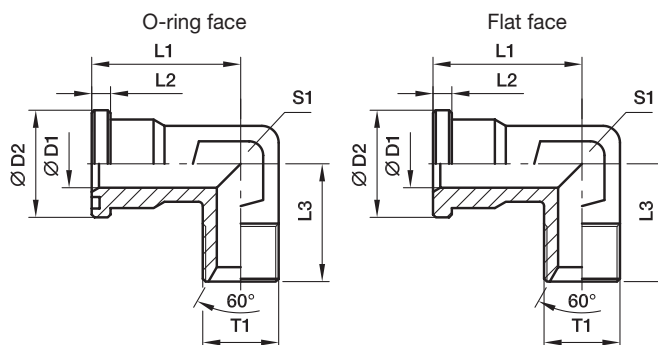


## WFS-G SAE 90° Elbow flange adapter

SAE Flange / BSPP 60° cone end  
(ISO 6162-1/-2) (ISO 8434-6)



### 3000 PSI Series

Nom. flange size		T1	D1	D2	L1	L2	L3	S1	Weight (steel) kg/piece	O-ring face Order code*	Flat face Order code*	PN (bar) <sup>1)</sup>	
SAE (in.)	ISO (DN)											CF	SS
1/2	13	<b>G 1/2</b>	12	30.2	44	6.7	50	22	0.19	<b>WFS32/12G</b>	<b>WFSG32/12G</b>	345	345
1/2	13	<b>G 3/8</b>	10	30.2	44	6.7	50	22	0.20	<b>WFS32/38G</b>	<b>WFSG32/38G</b>	345	345
3/4	19	<b>G 1/2</b>	12	38.1	53	6.7	64	27	0.42	<b>WFS33/12G</b>	<b>WFSG33/12G</b>	345	345
3/4	19	<b>G 3/4</b>	17	38.1	53	6.7	64	27	0.35	<b>WFS33/34G</b>	<b>WFSG33/34G</b>	345	345
3/4	19	<b>G 1</b>	19	38.1	53	6.7	64	27	0.36	<b>WFS33/1G</b>	<b>WFSG33/1G</b>	345	345
1	25	<b>G 3/4</b>	17	44.4	60	8.0	65	34	0.71	<b>WFS34/34G</b>	<b>WFSG34/34G</b>	345	345
1	25	<b>G 1</b>	22	44.4	60	8.0	65	34	0.52	<b>WFS34/1G</b>	<b>WFSG34/1G</b>	345	345
1	25	<b>G 1 1/4</b>	25	44.4	60	8.0	65	34	0.62	<b>WFS34/114G</b>	<b>WFSG34/114G</b>	345	345
1 1/4	32	<b>G 1</b>	22	50.8	55	8.0	64	42	0.84	<b>WFS35/1G</b>	<b>WFSG35/1G</b>	276	276
1 1/4	32	<b>G 1 1/4</b>	28	50.8	55	8.0	64	42	0.76	<b>WFS35/114G</b>	<b>WFSG35/114G</b>	276	276
1 1/2	38	<b>G 1 1/4</b>	28	60.3	66	8.0	78	50	1.49	<b>WFS36/114G</b>	<b>WFSG36/114G</b>	207	207
1 1/2	38	<b>G 1 1/2</b>	34	60.3	66	8.0	78	50	1.23	<b>WFS36/112G</b>	<b>WFSG36/112G</b>	207	207

### 6000 PSI Series

1/2	13	<b>G 1/2</b>	12	31.8	44	7.7	50	22	0.22	<b>WFS62/12G</b>	<b>WFSG62/12G</b>	420	420
1/2	13	<b>G 3/8</b>	10	31.8	44	7.7	50	22	0.37	<b>WFS62/34G</b>	<b>WFSG62/34G</b>	420	420
3/4	19	<b>G 1/2</b>	14	41.3	53	8.7	64	27	0.88	<b>WFS63/12G</b>	<b>WFSG63/12G</b>	420	420
3/4	19	<b>G 3/4</b>	17	41.3	53	8.7	64	27	0.37	<b>WFS63/34G</b>	<b>WFSG63/34G</b>	420	420
3/4	19	<b>G 1</b>	19	41.3	53	8.7	64	27	0.41	<b>WFS63/1G</b>	<b>WFSG63/1G</b>	420	420
1	25	<b>G 3/4</b>	17	47.6	60	9.5	62	34	0.69	<b>WFS64/34G</b>	<b>WFSG64/34G</b>	420	420
1	25	<b>G 1</b>	22	47.6	60	9.5	62	34	0.59	<b>WFS64/1G</b>	<b>WFSG64/1G</b>	420	420
1	25	<b>G 1 1/4</b>	25	47.6	60	9.5	62	34	1.70	<b>WFS64/114G</b>	<b>WFSG64/114G</b>	420	420
1 1/4	32	<b>G 1</b>	22	54.0	70	10.3	72	42	1.17	<b>WFS65/1G</b>	<b>WFSG65/1G</b>	420	420
1 1/4	32	<b>G 1</b>	22	54.0	70	10.3	72	42	1.17	<b>WFS65/1G/12<sup>3)</sup></b>	<b>WFSG65/1G/12<sup>3)</sup></b>	420	420
1 1/4	32	<b>G 1 1/4</b>	27	54.0	70	10.3	72	42	0.99	<b>WFS65/114G</b>	<b>WFSG65/114G</b>	420	420
1 1/4	32	<b>G 1 1/4</b>	27	54.0	70	10.3	72	42	0.99	<b>WFS65/114G/12<sup>3)</sup></b>	<b>WFSG65/114G/12<sup>3)</sup></b>	420	420
1 1/2	38	<b>G 1 1/4</b>	27	63.5	80	12.5	84	50	1.70	<b>WFS66/114G</b>	<b>WFSG66/114G</b>	420	420
1 1/2	38	<b>G 1 1/2</b>	32	63.5	80	12.5	84	50	1.47	<b>WFS66/112G</b>	<b>WFSG66/112G</b>	420	420

<sup>1)</sup> Pressure shown = Item deliverable

PN (bar) = PN (MPa)  
10

<sup>3)</sup> Order code for the elbow flange adapter assembled with FHS65/12CFX and M12×45 bolts.

See pages M16 and M19 for related flange halves depending on bolt sets.

**Stainless steel parts may have dimensional deviations. Additional information on request.**

\*Please add the **suffixes** below according to the material/surface required.

Order code suffixes					
Material	Suffix surface and material	Example only flange adapter	Example incl. splitflanges, metr. bolts and O-ring	Example incl. splitflanges, UNC bolts and O-ring	Standard sealing material (no additional suffix needed)
Steel, zinc plated, Cr(VI)-free	CF	WFS32/12GCF	WFS32/12GCFM	WFS32/12GCFU	NBR
Stainless steel	SS	WFS32/12GSS	WFS32/12GSSM	–	VIT